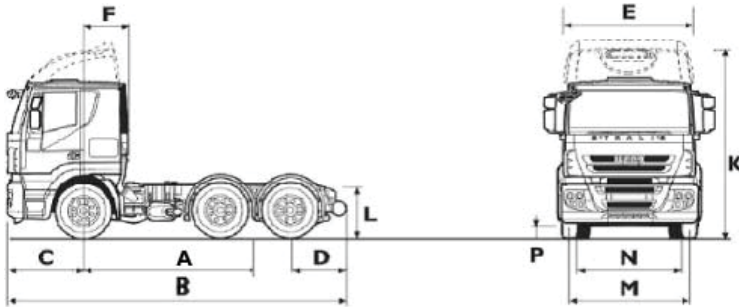
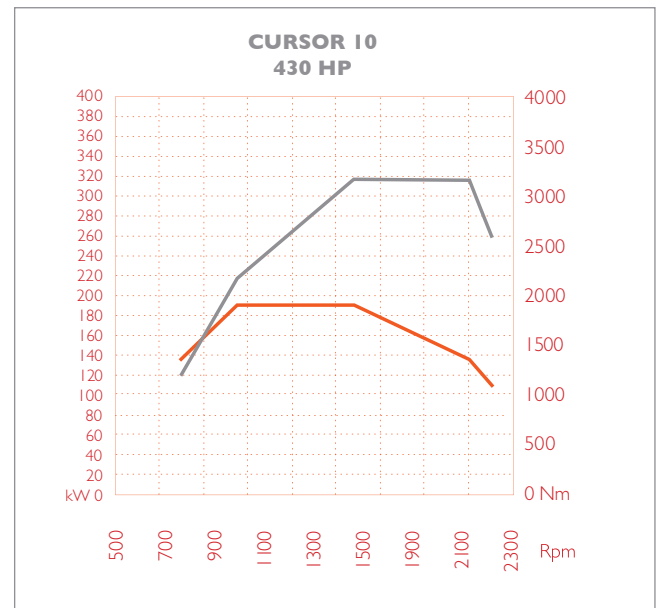


# STRALIS

## AT700S43TZP TRACTOR SLEEPER 6X4



DIMENSIONS (mm)		
A	Wheelbase	3897
B	Overall length	6815
C	Front overhang	1410
D	Rear overhang	778
E	Cab width	2550
F	Front axle centre-line to rear of cab	940
K	Cab height (unladen)	3625
L	Frame height at rear axle	1040
M	Front track width	2040
N	Rear track width	1820
P	Minimum ground clearance	230
Turning circle (wall to wall)		15980



TARE MASS (Kg)	
Front axle	4630
Rear axle	3630
Total	8260

ENGINE	
Type	IVECO Cursor 10 F3AEE681D*B
Turbocharger	Variable Geometry Turbine
Bore (mm)	125
Stroke (mm)	140
Capacity (litres)	10,3
Max power (HP/kW)	430/316
@ rpm	1590-2100
Max torque (Nm)	1900/194
@rpm	1050-1590
EEC emissions regulation	Euro 3
Cooling fan	Electro-magnetic
Fuel system	Unit injector system
Engine brake	IVECO Turbo Brake
Decompression power	250kW @ 1400rpm

MANUFACTURER MASS (Kg)	
First axle	8000
Second axle	10500
Third axle	10500
GVM	26000
GCM	70000

PERMISSIBLE MASS (Kg)	
First axle	7700
Second axle	9000
Third axle	9000
GVM	25700
GCM	56000

# IVECO

# STRALIS AT700S43TZP TRACTOR SLEEPER 6X4

## GEARBOX

Type	Eurotronic I2 AS I930 DD
Ist	15.86
I2th	1.00
Rev	14.6/11.4
ZF Intarder Standard	

## CLUTCH

Type	Single plate, diaphragm spring, pull type
Diameter (mm)	430 (17")

## BRAKES

Type	2 independent pneumatic circuits
Service	EBS
Front axle	Ventilated discs, 432mm Friction area 784cm <sup>2</sup>
Rear axles	Ventilated discs, 432mm Friction area 784cm <sup>2</sup>
Parking	Mechanical with spring cylinder, drive axle
Emergency	Combined with parking brake

## STEERING

Type	ZF 8098
Steering wheel diameter	510mm

## TYRES AND WHEELS

Rims	ALCOA 11.75 x 22.5/9.00 x 22.5
Front	385/65R22.5
Rear	315/80R22.5

## SUSPENSION

Front	Parabolic, 2 leaves
Rear	Pneumatic, 8 air bellows (ECAS)
Shock absorbers	2 on front, 4 on rear

## FUEL SYSTEM

Tank	600 litre, aluminium with lockable fuel cap
------	---

## AXLES

Steering with single wheels	IVECO 5876. I beam
Drive tandem with twin wheels	MT23-I55/2D. Single reduction
Rear axle ratio	3.41:1
Differential lock	Cross axle

## ELECTRICAL SYSTEM

Alternator	28v, 90A
Starter	24v/5.5kW
Cruise control	Driver programmable
Batteries	2 x 12v, 220 Ah
Circuits protected	By fuse
Other	All circuits protected by fuses and multiplex CAN line data bus system

## CHASSIS

Type	Ladder construction. Pressed steel side members and riveted and bolted cross members
Side member length (mm)	304
Flange width (mm)	80
Frame thickness (mm)	7.7

## CAB INTERIOR

Forward control cab. Galvanised pressed steel construction, with SMC for vulnerable parts.  
Helical spring suspension and dampers.  
Hydraulic cab tilt to 60 deg.  
Tinted electric door windows and tinted laminated screen.  
Electric rear-view mirrors plus kerb and wide angle mirrors.  
Blind rear cab panel.  
External stowage for tools.  
Plastic front bumper.

## CAB EXTERIOR

Interior incorporating, air suspended 3-way adjustable driver's seat, inertia reel belt.  
Passenger seat 2 way adjustable with inertia reel belt.  
Soft feel dashboard with multi - functional steering wheel incorporating touch button menu controls for the real time digital dash display.  
All gauge functions monitored using international symbols.  
Heater.  
Left and right hand entry assist handles.  
Pneumatic adjustable steering column, 2 column mounted control stalks, left stalk operating the indicators, main beam, windscreen wash wipe, (if provided); right stalk operating Eurotronic 2 gear change, engine brake, cruise control and variable speed limiter.  
If provided, right of the steering column is the dash mounted Eurotronic gearbox controls for automatic and semi-automatic modes, neutral, reverse and low speed manoeuvring mode (forward and reverse) Overhead console for CB radio.  
Courtesy and map reading lights. Electronic PTO switch and in cab preparation.  
Fabric trim cab interior.  
Double bunk with under bunk storage, bottle holder & storage and control panel.

# IVECO

WWW.IVECO.CO.ZA